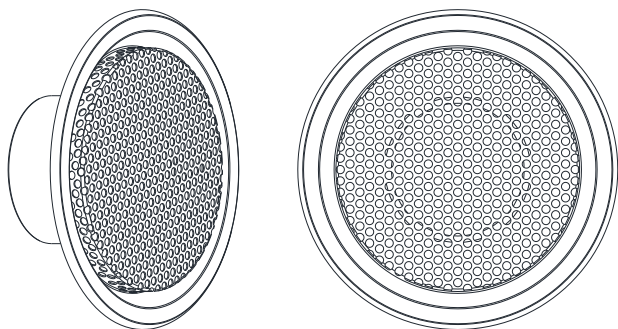


# Model PDD-R Perforated Displacement Diffuser



Model PDD-R diffuser provides a displacement system giving improved air quality and lower temperatures in the occupied zone. The diffuser can supply air with very low velocity to avoid draught in the near zone of the diffuser.

PDD-R is designed for installation in step front and under the seats. The air is supplied to the diffuser from the chamber located under the steps. They are suitable for installation in lecture halls, auditoriums, theatres, cinemas, where good indoor climate conditions are required.

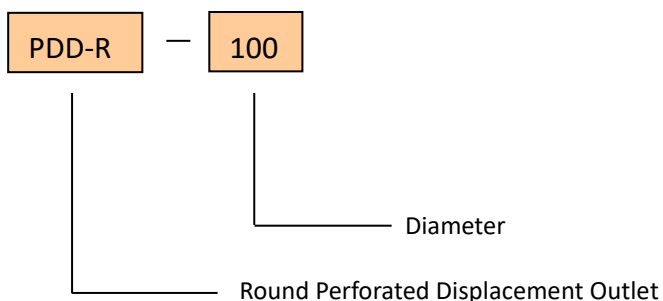
## Features

- Low turbulence and draft free.
- Low velocity under seat air supply.
- Low sound power level
- Air flow adjustment by rear throttle disk
- Easy to install with claw fastener

## Material and Finish

- Flange.  
Stainless steel grade 316.
- Front plate  
Perforated stainless steel grade 316.
- Rear throttle disk  
Stainless steel grade 316
- Finish  
Mill finish as standard. Others finishes available upon request.

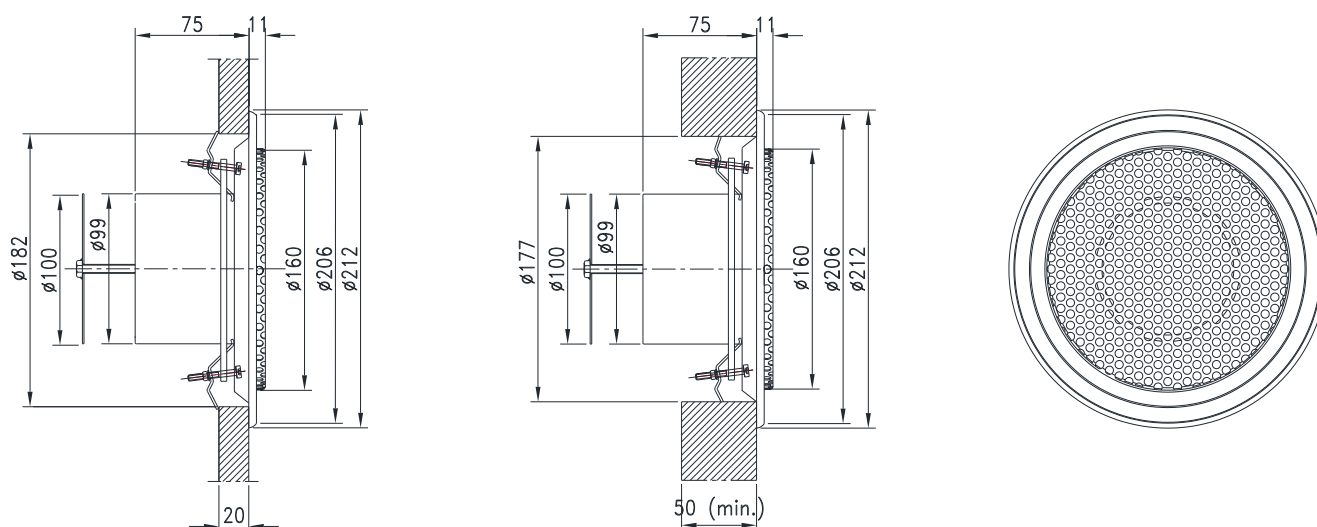
## Order Code



# Model PDD-R Perforated Displacement Diffuser



## Dimension



## Performance

<b>Air Flow</b>	11 l/s	17 l/s
<b>Discharge Velocity</b>	≤0.54 m/s	≤0.84 m/s
<b>Total Pressure Drop</b>	17 Pa	43 Pa
<b>Sound Level</b>	15 dB(A)	27 dB(A)
<b>Throw Distance</b>	0.4 m	0.5 m

Throw values shown are based on Terminal Velocities of 0.05 m/s using isothermal air.